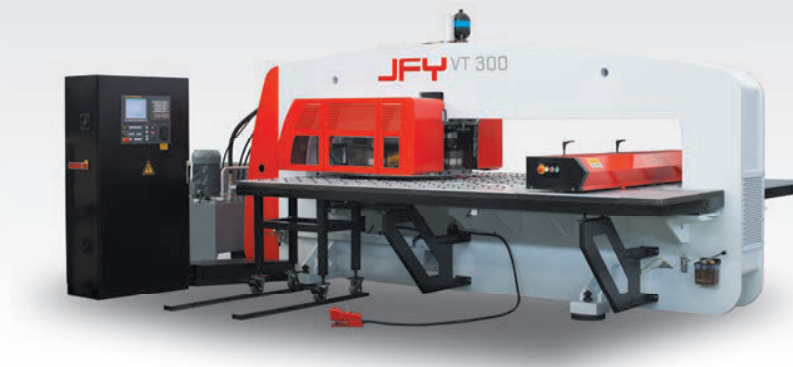


## VT Series CNC Hydraulic Turret Punch Machine

### Features

- Adopts a first class hydraulic system, whose stroke and speed are changed digitally. The max. stroke rate can reach 600hpm, and at 25mm/s can reach 350hpm.
- The large ballscrew and high precision linear guideway transfer the drive.
- The imported pneumatic, hydraulic and electric components ensure perfect quality.
- The turret and bushing are processed in pairs to ensure the coaxiality of the punch and die, thus significantly extending the service life of the tooling together with the turret.
- The central lubrication unit reduces the friction between each working pair to prolong the machine service life.
- The integrated beam structure with the carriage welded to the beam to increase the rigidity and positioning accuracy, to get a more stable feed during high speed operation, and to avoid dynamic X, Y axis distortion of the worktable.



### VT Hydraulic Dynamic System

The Germany H+L hydraulic system yields high speed and stable performance. The punching rate reaches 600hpm.



### Main Specification

Specification		Unit	VT-300			VT-500	
Punch Force		KN	300			500	
Max.Processing Sheet Size [with one reposition]		mm	1250×2500	1250×5000	1500×5000	1250×5000	1500×5000
Max. Processing Sheet Thickness		mm	6.35	6.35	6.35	8	8
Max.Punch Diameter per Once		mm	φ 88.9	φ 88.9	φ 88.9	φ 88.9	φ 88.9
No.of Station		No.	32	32	32	32	32
No.of Auto-index		No.	2	2	2	2	2
Hole Accuracy		mm	±0.10	±0.10	±0.10	±0.15	±0.15
Max. Sheet Moving Speed [sheet with 1mm thickness]	X Axis	m/min	60	60	60	60	60
	Y Axis		60	60	60	60	60
Max.Punch Hit at 1mm Pace & 4mm Stroke		hpm	600	600	600	300	300
Max. Punch Hit at 25mm Pace & 4mm Stroke	X Axis	hpm	350	320	300	200	200
	Y Axis		250	220	200	150	150
Turret Rotate Speed		rpm	30	30	30	30	30
CNC System			FANUC	FANUC	FANUC	FANUC	FANUC
Controlling Axis		No.	4	4	4	4	4
Outline Dimension		mm	5020×2680 ×2340	5020×5000 ×2340	5520×5000 ×2340	5020×5000 ×2340	5520×5000 ×2340
Weight		kg	12500	14000	14800	14500	15500

◆ Note: All of models mentioned above can be designed into the table with 4000mm.

◆ Note: All the specifications are subjected to change without further notice.

## MT Series CNC Single-Motor Driven Turret Punch Machine

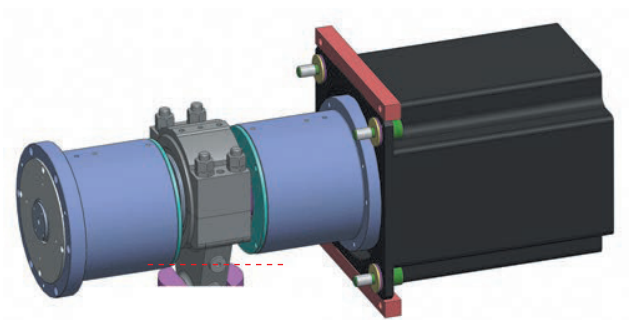


### Features

- Servo-motor-driven CNC turret punching machine with superior performance.
- Energy saving as servo motor only works while punching.
- Single servo motor is the power source bringing improved punching speed.
- Equipped with a soft punch function to reduce the noise pollution.
- No hydraulic pipeline system, no oil leakage or pipeline aging and therefore lower maintenance costs.

## MT Single-Motor-Driven Dynamic System

The dynamic, single-motor-driven system provides high efficiency and reliable performance.



## Main Specification

Specification		Unit	MT-300E	MT-300E
Punch Force		KN	300	300
Max.Processing Sheet Size [with one reposition]		mm	1250×5000	1500×5000
Max. Processing Sheet Thickness		mm	300E-3.2 ( Brush Worktable ) / 6.35 ( Ball & Brushed Mixed Table )	300E-3.2 ( Brush Worktable ) / 6.35 ( Ball & Brushed Mixed Table )
Max.Punch Diameter per Once		mm	φ 88.9	φ 88.9
No.of Station		No.	32	32
No.of Auto-index		No.	2	2
Hole Accuracy		mm	±0.10	±0.10
Max. Sheet Moving Speed [sheet with 1mm thickness]	X Axis	m/min	80	80
	Y Axis		60	60
Max.Punch Hit at 1mm Pace & 4mm Stroke		hpm	780	780
Max. Punch Hit at 25mm Pace & 4mm Stroke	X Axis	hpm	400	400
	Y Axis		320	320
Turret Rotating Speed		rpm	30	30
CNC System			BECKHOFF	BECKHOFF
Controlling Axis		No.	5	5
Outline Dimension		mm	5350×5200×2350	5600×5200×2350
Weight		kg	17000	18000

◆ Note: All of models mentioned above can be designed into the table with 4000mm.

◆ Note: All the specifications are subjected to change without further notice.

**NAMSON TECHNOLOGY - ENGINEERING CO., LTD**

Address : 51-53 Pho Quang Street, Ward 2, Tan Binh District, Ho Chi Minh city, Vietnam  
Hotline: 0909 961 715  
Tel: (028) 3997 4421

**HANOI BRANCH**

Address: 3B, Alley 43, Giang Vo Street, Cat Linh Ward, Dong Da District, Hanoi, Vietnam  
Tel: (024) 3736 8377

Website: [www.namson.com.vn](http://www.namson.com.vn)